



# SPOA30/SPOA40/SPO40

## 600 M Series And 700 E Series Two Post Surface Mounted Lifts

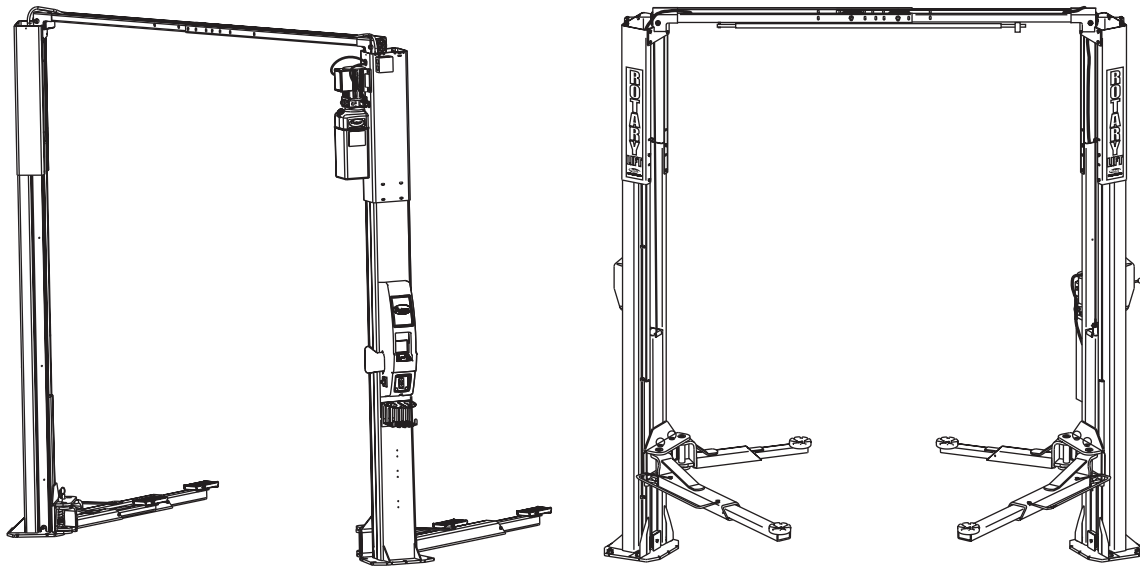
SPOA30 Series Capacity: 3,100kg (775 kg per arm)

SPOA40 Series Capacity: 4,000kg (1,000kg per arm)

SPO40 Series Capacity: 4,000kg (1,000kg per arm)



P  
A  
R  
T  
S  
  
B  
R  
E  
A  
K  
D  
O  
W  
N



\*

**IMPORTANT:** When ordering parts or requesting service always give exact model and power unit serial number. Model number is shown on nameplate attached to power unit column. Power unit serial number is located on side of power unit.

**OWNERS RECORD**  
Complete information at right and keep in a safe place.

Date Installed \_\_\_\_\_

Installed in Bay # \_\_\_\_\_

Power Unit Serial # \_\_\_\_\_

Power Unit Model # \_\_\_\_\_

Lift Serial # \_\_\_\_\_

Lift Model # \_\_\_\_\_

NOTE: For replacement parts -See your nearest Rotary Parts Distributor.

\*PLP20354

PB2-32-30  
Rev. B 01/26/2007

## M SERIES PARTS LIST

1	L.H. Column .....	N752	39	Equalizer Cables	
2	R.H. Column .....	N755		SPOA30.....	N384
3	Column Extension			SPOA30 EH-1 MODEL.....	N385
	Standard Height.....	N470		SPOA30 EH-2 MODEL.....	N386
	EH-1 MODEL .....	N471		SPOA40.....	N372
	EH-2 MODEL.....	N472		SPOA40 EH-1 MODEL.....	N378
	EH-4 MODEL (SPO40 only) .....	N474		SPOA40 EH-2 MODEL.....	N373
4	Carriage Yoke.....	N822		SPO40 .....	N374
5	Arm Pin .....	N2154		SPO40 EH-1 MODEL .....	N379
6	3/8" -16NC x 3/4" Long Carriage Bolts .....	N/A		SPO40 EH-2 MODEL .....	N375
7	71" Hydraulic Cylinder.....	N382		SPO40 EH-4 MODEL .....	N376
*8	Power Unit		40	Carriage Bumper.....	FA950
	1Ø (SPOA30) (F model).....	*P1453/P3453	41	Locking Latch Cable .....	FJ7595-1
	1Ø (SPOA40/SPO40) (F model).....	*P1456/P3456		SPO40 EH-4 Model .....	FJ7600
	3Ø (SPOA30) (D model).....	*P1454/P3454	42	Cable Guide.....	N618
	3Ø (SPOA40/SPO40) (D model).....	*P1047/P3346	43	3/8" -16NC Flanged Locknut.....	40664
	3Ø (SPOA30) (T model) .....	*P1455/P3455	44	Sheave Shaft.....	FJ7444-8
	3Ø (SPOA40/SPO40) (T model) .....	*P1457/P3457	45	1/4" -20NC x 3/4" HHCS Grade 5.....	40104
9	Power Unit Hose .....	FJ837	46	Cable End Bracket.....	N619
10	5/16" -18NC x 1-1/2" HHCS.....	40238	47	Hose Clip.....	N383
11	5/16" External Tooth Lock Washer .....	40854	48	Front Shim .....	FJ7659-3
12	5/16" -18NC Hex Nut.....	40670	49	Horse Shoe Shim.....	FJ716-6
13	Actuator Pin Handle .....	FJ7985-1	50	Tee .....	FJ7668
14	Actuator Pin.....	N121-1	51	N/A.....	N/A
15	Retaining Ring.....	N119-3	52	Photosensor Plug.....	FA5930-2
16	Arm Restraint Spring.....	FJ7656-2	53	1/4" -20NC Flanged Locknut.....	40641
17	Strain Relief (1Ø Only) .....	P1164-4	54	Spacer.....	FJ7871
18	Carriage Bumper (152mm Lg.).....	FA941	55	Limit Switch Assembly.....	N412
19	Arm Restraint Pawl.....	N2121	56	1/4" External Tooth Lock Washer .....	40779
20	Approach Bumper (457mm Lg.) .....	FJ7391-1	57	3/8" External Tooth Lock Washer .....	40845
21	5/8" -11NC Hex Nylon Insert Lock Nut .....	40780	58	1-1/2" Lg. Spring Pin.....	14427
22	Truarc #5304-75 Klipping for 3/4" Shaft.....	41411	59	1/4" -20NC x 1" HHCS Grade 5.....	40108
23	Sheave.....	N377	60	Left Toe Guard .....	N137-1
24	1/4" -20NC Hex Nut.....	40627	61	Right Toe Guard.....	N138-1
25	Sheave Cover.....	N119-1	62	Limit Switch.....	N411-1
26	1/4" -20NC x 3/8" Lg. PHMS Plated (2 pcs.).....	40063	63	Push Nut.....	FC5209
27	Slider Block.....	FJ7360	64	L.H. Overhead (Outer).....	N480-1
28	20mm Concrete Anchor (10 req'd)W140210		65	R.H. Overhead (Inner).....	N481-1
29	1-1/2" O.D. x .760-.770" I.D. x .045" Thk. Mach. Bushing.....	41388	66	Bleeder Screw.....	N/A
30	1/4" -20NC x 2-3/4" Hex Head Bolt.....	40114	67	Adapter Plate.....	FA7926
31	1/4" -20NC Nylon Insert Locknut.....	41423	68	5/16-18NC x 1/2" Socket Flat Head MS .....	40375
32	1/4" Type A Plain Flat Washer		69	Control Panel	
33	Switch Bar Assembly			1Ø .....	FA7928
	SPOA30.....	N415		3Ø .....	FA7927
	SPOA40/SPO40.....	N467	70	#8-32NC x 3/8" Lg. Hex SHCS.....	40087
34	Spotting Wheel Dish Kit.....	FF729	71	Overhead Mounting Bracket .....	N439
35	N/A.....	N/A			
36	3/8" -16NC x 3/4" Long Flanged HHCS .....	40134			
37	Slider Block Shim.....	N115			
38	Overhead Hose				
	SPOA30.....	FJ839			
	SPOA30 EH-1 MODEL.....	FJ842			
	SPOA30 EH-2 MODEL.....	FJ843			
	SPOA40 and SPO40.....	FJ839			
	SPOA40 and SPO40 EH-1 MODEL.....	FJ842			
	SPOA40 and SPO40 EH-2 MODEL.....	FJ843			
	SPO40 EH-4 MODEL .....	FJ845			

### \*Notes: F, D, or T Model?

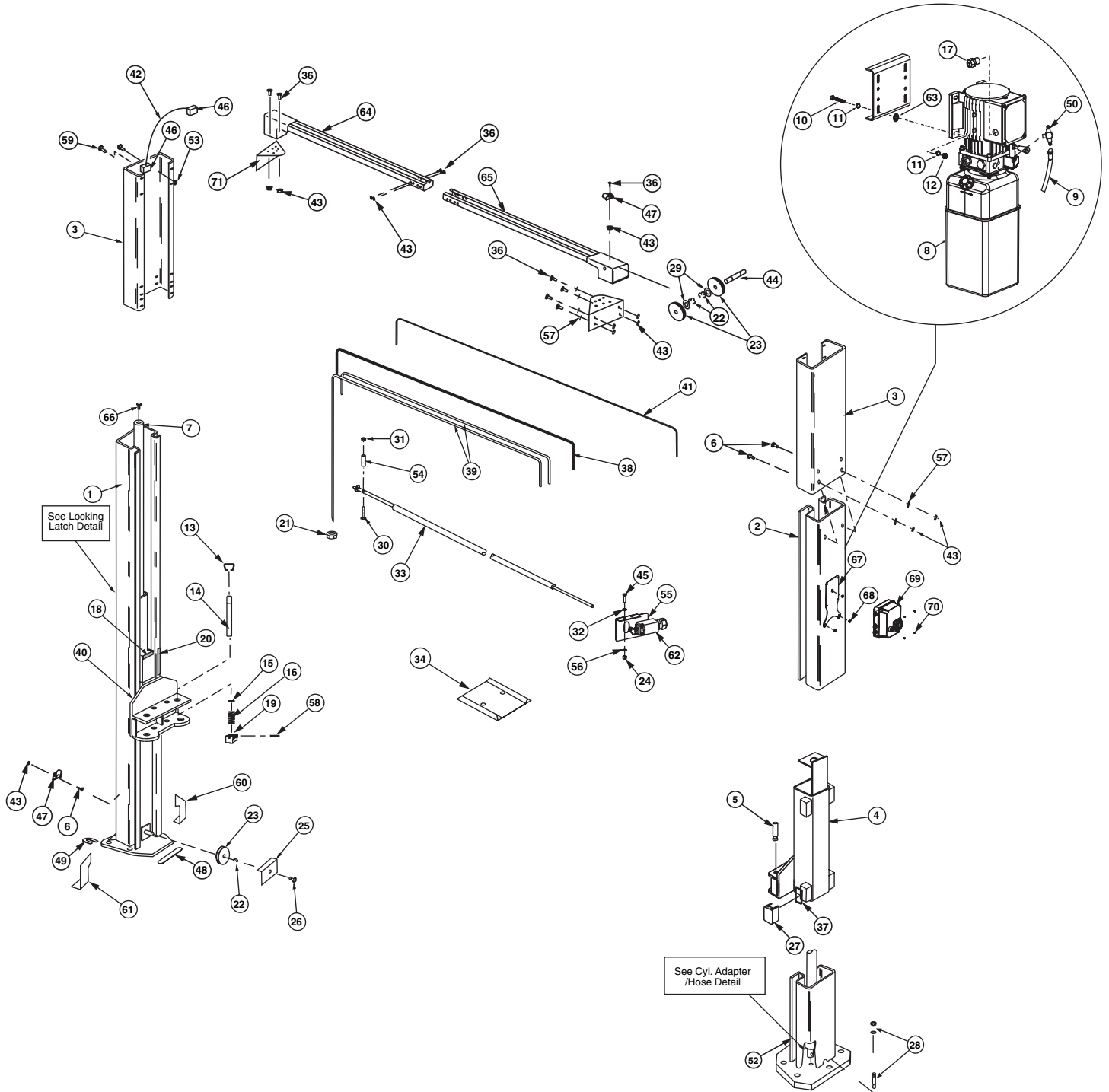
To find out if you have a F, D, or T model Power Unit look at the 4th letter from the end of your lift model number.

EXAMPLE: SPOA30MD585 would be a D Model.

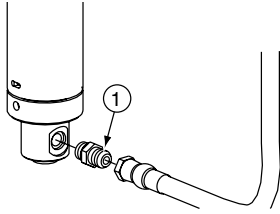
Model number can be found on a tag on the side of the lift.

**\* Two different power units were used. Please verify your exact model number before ordering replacement parts.**

# M SERIES PARTS LIST

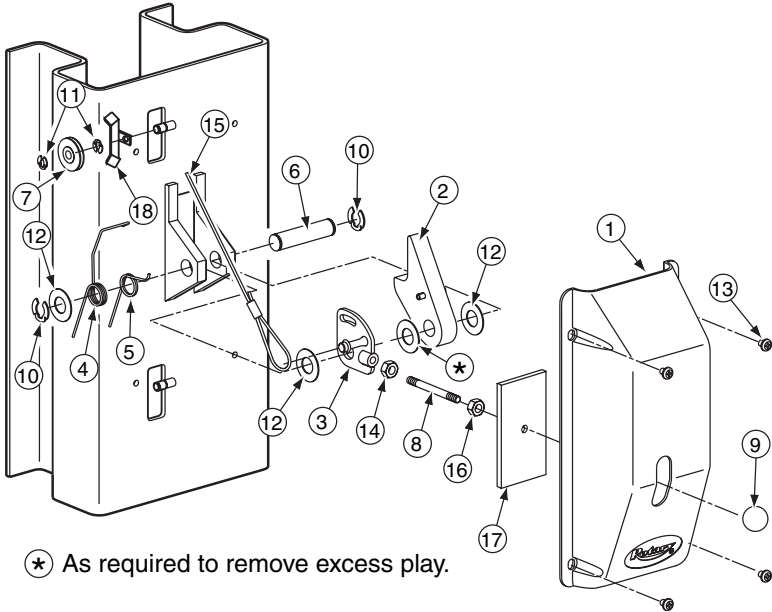


# M SERIES PARTS LIST



## CYLINDER ADAPTER/HOSE DETAIL PARTS LIST

Item	Description	Part No.
1	Straight Adapter .....	FJ7352-3

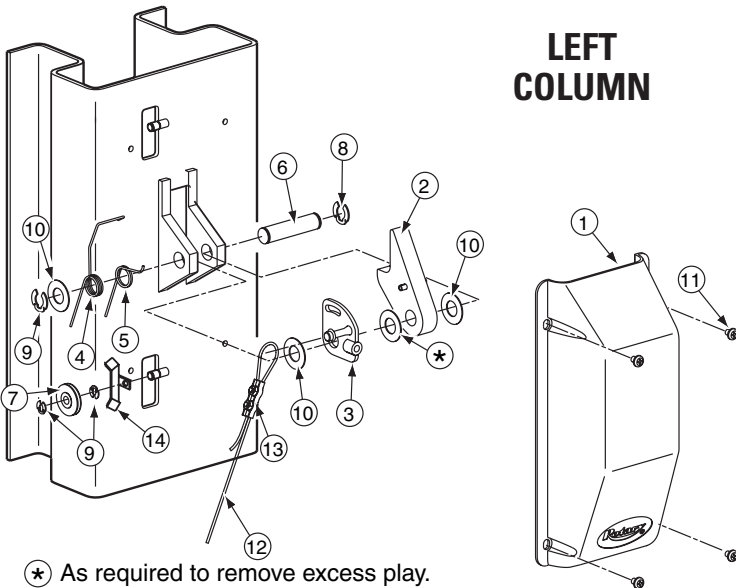


(\*) As required to remove excess play.

### RIGHT COLUMN

## LOCKING LATCH DETAIL PARTS LIST

Item	Description	Part No.
1	Control Side Cover.....	FJ7452
2	Locking Latch Dog.....	N616
3	Control Plate.....	FJ7594-2
4	Spring .....	FJ7566-10
5	Spring .....	FJ7382-9
6	Latch Shaft.....	FJ7382-34
7	Locking Latch Sheave.....	FJ7322
8	Handle .....	FJ7382-18
9	Ball Handle .....	FC134-91
10	Truarc Klipring #5304-75 (for 3/4" Shaft).....	41411
11	Truarc Klipring #5304-37 (for 3/8" Shaft).....	41410
12	1-1/2" O.D. x 3/4" I.D. x .045" Mach. Bush.....	41388
13	5/16"-18NC x 3/8" Lg. BHCS (Allen Socket).....	N/A
14	3/8" - 16NC Hex Jam Nut.....	40658
15	Locking Latch Cable.....	FJ7600
16	1/2" -13NC Jam Nut (Spacer).....	40700
17	Slot Cover.....	N617
18	Latch Sheave Cover .....	N64



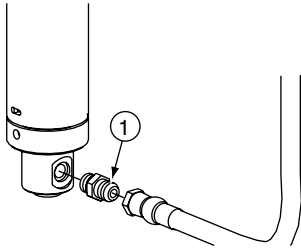
(\*) As required to remove excess play.

### LEFT COLUMN

## LOCKING LATCH DETAIL PARTS LIST

Item	Description	Part No.
1	Latch Cover.....	FJ7451
2	Locking Latch Dog.....	N616
3	Control Plate.....	FJ7594-2
4	Spring .....	FJ7566-10
5	Spring .....	FJ7382-9
6	Latch Shaft.....	FJ7382-34
7	Locking Latch Sheave.....	FJ7322
8	Truarc Klipring #5304-75 (for 3/4" Shaft).....	41411
9	Truarc Klipring #5304-37 (for 3/8" Shaft).....	41410
10	1-1/2" O.D. x 3/4" I.D. x .045" Mach. Bush.....	41388
11	5/16"-18NC x 3/8" Lg. BHCS (Allen Socket).....	N/A
12	Locking Latch Cable.....	FJ7595-1
	EH-4 for SPO40 .....	FJ7600
13	Latch Cable Clamp.....	N63-1
14	Latch Sheave Cover .....	N64

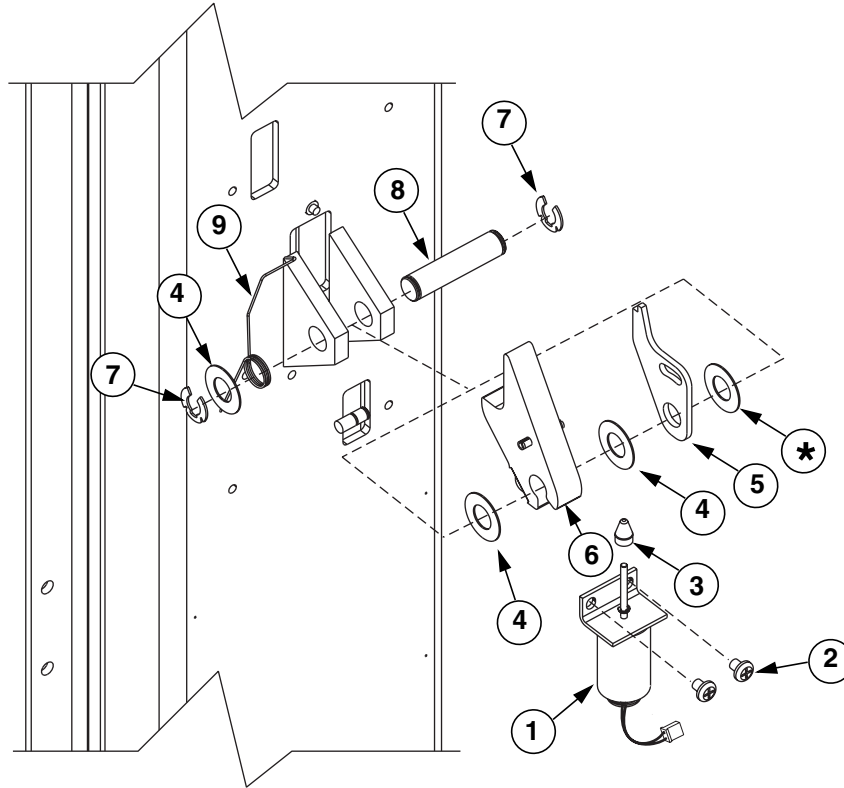
**E SERIES PARTS LIST**



**CYLINDER ADAPTER/HOSE DETAIL PARTS LIST**

Item	Description	Part No.
1	Straight Adapter .....	FJ7352-3

**SOLENOID / LOCKING LATCH ASSEMBLY**



**LOCKING LATCH DETAIL PARTS LIST**

Item	Description	Part No.
1	Solenoid .....	FA7484-6
2	5/16" - 3/8" PHMS.....	40227
3	Slider .....	N613-1
4	1-1/2" O.D. x 3/4" I.D. x .045 Mach. Bush.....	41388
5	Latch Control Plate.....	N613-3
6	Locking Latch.....	N616
7	Truarc Klipring #5304-75 (for 3/4" Shaft).....	41411
8	Latch Shaft.....	FJ7382-34
9	Latch Spring .....	N613-2

## E SERIES PARTS LIST

1 L.H. Column.....	N752	41 Limit Switch.....	N411-1
2 R.H. Column.....	N752	42 3/8"-16NC Flanged Locknut.....	40664
3 R.H. Column Extension		43 Sheave Shaft.....	FJ7444-8
Standard Height.....	N470	44 Slider Block Shim.....	N115
EH-1 MODEL.....	N471	45 Male Extension With O-Ring.....	N332
EH-2 MODEL.....	N472	46 Hose Clip.....	N383
EH-4 MODEL (SPO40 Only).....	N474	47 1/4"-20NC x 2-3/4" Hex Head Bolt.....	40114
L.H. Column Extension		48 1/4" Type A Flat Washer.....	40780
Standard Height.....	N485	49 Female Swivel Tee.....	N331
EH-1 MODEL.....	N486	50 Switch Bar Assembly	
EH-2 MODEL.....	N487	(SPOA30).....	N415
EH-4 MODEL (SPO40 Only).....	N489	(SPOA40/SPO40).....	N467
4 Carriage Yoke.....	N822	51 3/8"-16NC x 1/2" Flanged HHCS.....	40122
5 Arm Pin.....	N2154	52 1/4"-20NC x 3/4" HHCS Grade 5.....	40104
6 1/4"-20NC Locknut.....	41423	53 1/4" External Tooth Lock Washer.....	40779
7 71" Hydraulic Cylinder.....	N382	54 1/4"-20NC Hex Nut.....	40627
*8 Power Unit		55 Limit Switch Assembly.....	N412
1Ø SPO40 (E model).....	*P3486	56 3/8" External Tooth Lock washer.....	40845
3Ø SPOA30 (E model).....	*P3487	57 Spring Pin-1/4" dia. x 1-1/2" Lg. (Stainless).....	14427
3Ø SPOA40/SPO40 (E model).....	*P3493	58 Hose Grommet.....	FA7180-32
3Ø SPOA30 (S model).....	*P3488	59 Screws for Control Panels And Tool Holders	
3Ø SPOA40/SPO40 (S model).....	*P3489	5/16" - 3/8" PHMS.....	10 REQ'D
9 Power Unit Hose.....	N368	60 Wire Grommet.....	FA7180-31
10 5/16"-18NC x 1-1/2" HHCS (Full Thread).....	40271	61 Mounting Bracket.....	N439
11 Vibration Pad.....	P1164-3	62 Motor Harness.....	FA7611
12 5/16"-18NC Hex Nut.....	40670	63 3/8"-16NC x 3/4" Carriage Bolts.....	N/A
13 Actuator Pin Handle.....	FJ7985-1	64 Motor Cable	
14 Actuator Pin.....	N121-1	1Ø.....	FA7940
15 Retaining Pin.....	N119-3	3Ø.....	FA7952
16 Arm Restraint Spring.....	FJ7656-2	65 13" Bumper.....	FA950
17 Bleeder Screw (Specify Manufacturer).....	N/A	66 NA	
18 Carriage Bumper.....	FA941	67 Master Control Assembly.....	FA7425
19 Arm Restraint Pawl.....	N2121	68 Slave Control Cover.....	FA7706
20 Approach Bumper.....	FJ927-1	69 Air Tool Holder.....	FA7520
21 5/8"-11NC Hex Lock Nut.....	40743	70 L.H. Overhead (Outer).....	N480-1
22 Truarc #5304-75 Klipping for 3/4" Shaft.....	41411	71 R.H. Overhead (Inner).....	N481-1
23 Sheave.....	N377	72 NA	
24 Shim Kit.....	FA5112	73 Slave Control Cable Extension	
25 Sheave Cover.....	N119-1	2'.....	FA7805
26 1/4"-20NC x 3/8" Lg. PHMS Plated (2 pcs.).....	40063	4'.....	FA7806
27 Slider Block.....	FJ7360	74 Slave Harness.....	FA7705
28 20mm Concrete Anchor.....	W140210		
29 1-1/2" O.D. x .760-.770" I.D. x .045" Bushing.....	41388		
30 Wiring Chase.....	FA928		
31 #8-32 Type B x 5/8" Lg. PHTS.....	41457		
32 Web Cover.....	FA948		
33 Spacer.....	FJ7871		
34 Spotting Wheel Dish Kit.....	FF729		
35 N/A.....	N/A		
36 3/8"-16 NC x 3/4" Long Flanged HHCS.....	40124		
37 Overhead Hose.....			
Standard.....	N369		
EH-1/EH-2 MODEL.....	N371		
EH-4 MODEL (SPO40 Only).....	N370		
38 Equalizer Cables.....			
SPOA30.....	N384		
SPOA30 EH-1 MODEL.....	N385		
SPOA30 EH-2 MODEL.....	N386		
SPOA40.....	N372		
SPOA40 EH-1 MODEL.....	N378		
SPOA40 EH-2 MODEL.....	N373		
SPO40.....	N374		
SPO40 EH-1 MODEL.....	N379		
SPO40 EH-2 MODEL.....	N375		
SPO40 EH-4 MODEL.....	N376		
39 Horse Shoe Shim.....	FJ716-6		
40 Front Shim.....	FJ659-3		

### \*Notes: E or S Model?

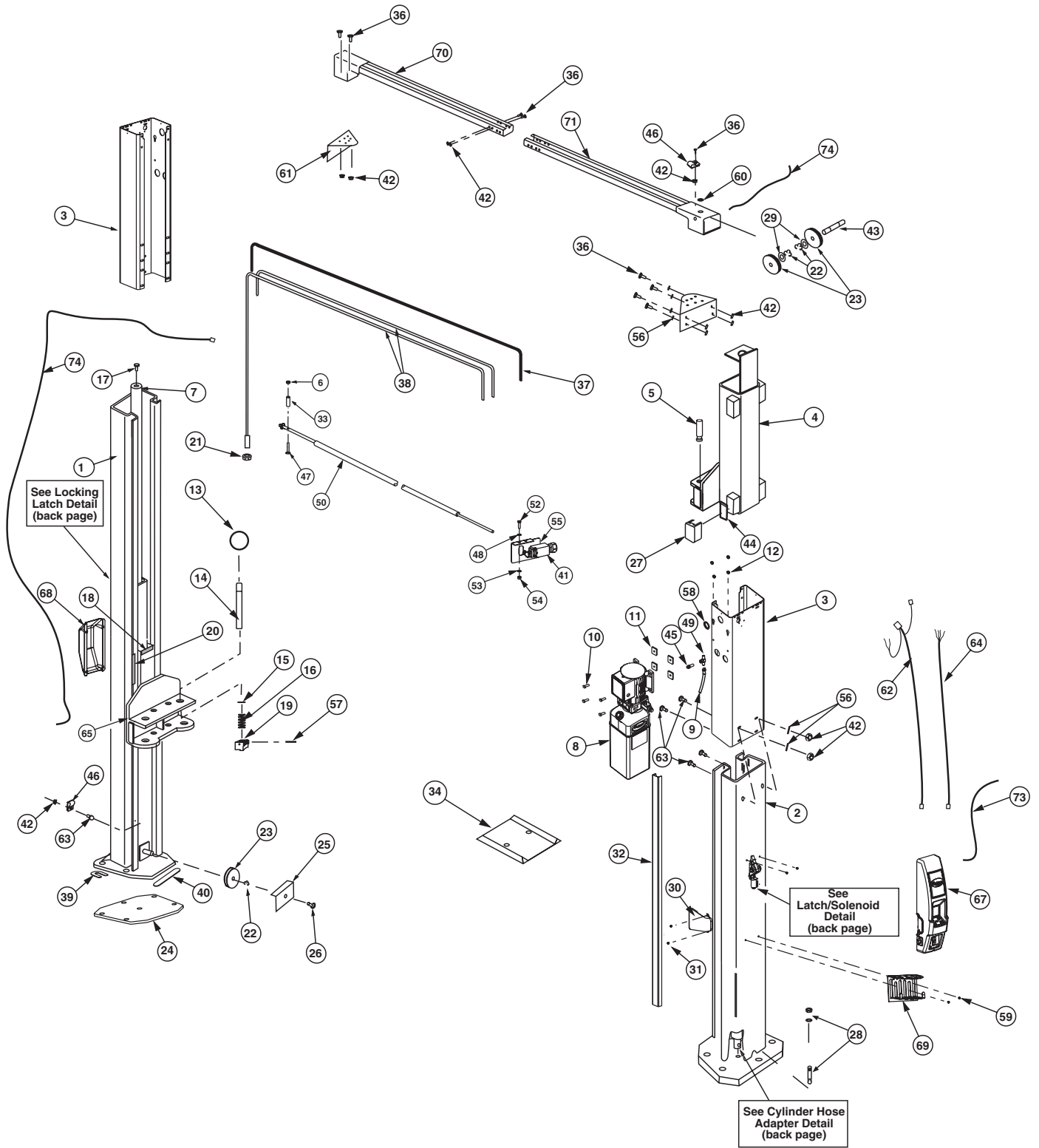
To find out if you have an E or S model Power Unit look at the 4th letter from the end of your lift model number.

EXAMPLE: SPOA30**EE**585 would be an E Model.

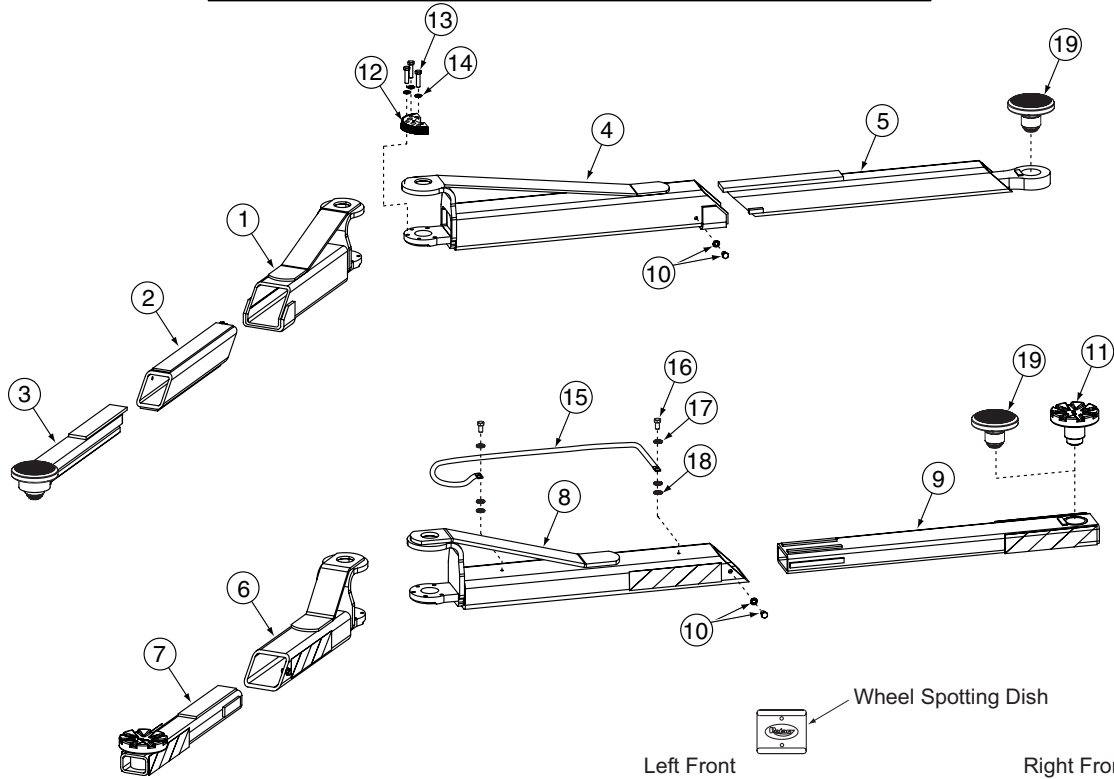


Model number can be found on a tag on the side of the lift.

# E SERIES PARTS LIST



## SPOA30/SPOA40/SPO40 ARM DETAIL



### ARM DETAIL PARTS LIST

<p>1 Front Outer 3-Stage Arm SPOA30/SPOA40 (5GX Series) ..... N2224-1</p> <p>2 Front Middle 3-Stage Arm SPOA30/SPOA40 (5GX Series) ..... N2220-10</p> <p>3 Front Inner 3-Stage Arm SPOA30/SPOA40 (5GX Series) ..... N2220-6</p> <p>4 Rear Outer Arm SPOA30/SPOA40 (5GX Series) ..... N2225-1</p> <p>5 Rear Inner Arm SPOA30/SPOA40 (5GX Series) ..... N2225-4</p> <p>6 Front Outer Arm SPOA30 ..... N2190-1 SPOA40 ..... N2192-1 SPO40 ..... N2194-1</p> <p>7 Front Inner Arm SPOA30 ..... N284-1 SPOA40 ..... N286-1 SPO40 ..... N288-1</p> <p>8 Rear Outer Arm SPOA30 ..... N2191-1 SPOA40 ..... N2193-1 SPO40 ..... N2194-1</p> <p>9 Rear Inner Arm SPOA30 ..... N285-1 SPOA40 ..... N287-1 SPO40 ..... N288-1</p>	<p>10 Stop Bolt Assembly 3/8" Internal Tooth Washer ..... 40843 3/8"-16NC x 5/8" Lg. HHCS Gr. 8, Plated ..... 40155</p> <p>11 Adapter Assembly ..... FJ6166 Low Profile Adapter Assembly ..... FJ6191</p> <p>12 Restraint Gear ..... N2122</p> <p>13 3/8"-16NC x 1-1/2" HHCS Gr. 5, Plated ..... 40200</p> <p>14 3/8" Medium Spring Lock Washer ..... 40818</p> <p>15 Arm Guard SPOA30 (Rear) ..... N244-4 SPOA40 (Rear) ..... N246-4 SPO40 (Left Front/Right Rear/Left Rear) ..... N244-4 SPO40 (Right Front) ..... N247-4</p> <p>16 5/16"-18NC x 3/4" Lg. HHCS ..... 40252</p> <p>17 5/16" Medium Spring Lock Washer ..... 40850</p> <p>18 5/16" Flat Washer SAE Standard, Plated ..... 40856</p> <p>19 Low Profile 3-Stage Adapter ..... FJ6202</p>
---	--

Wheel Spotting Dish

Left Front

Right Front

